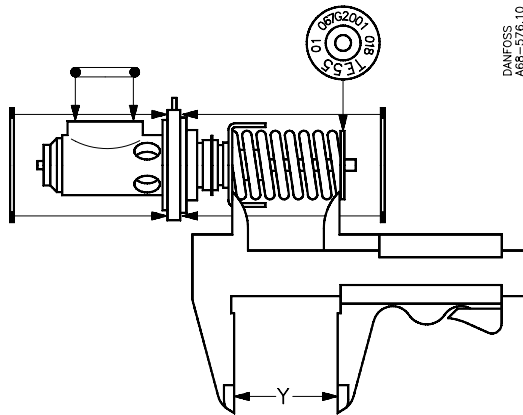


067R9503

067R9503



DANFOSS
A68-576.10

Orifice no.	Orifice code no.	Y = ±1 mm							
		R 12 Range N	R 22 Range N B		R134a Range N	R 404A Range N B		R 502 Range N B	
01	067G2001	33			31	33	33		
02	067G2002	33			31	33	33		
01	067G2005		32	34					
02	067G2006		32	34					
01	067G2011							33	34
02	067G2012							33	34